

L1P GPS Antenna

Technical Product Data

Features

- **Excellent Gain, 3dBiC**
- **Multiple Connector Options**



Description

The L1P is a passive L1 GPS antenna that is ideally suited for many applications. The L1P is also available with various common RF connector options in order to meet your specific needs.

Please call, fax, email (sales@gpssource.com), or visit our website (www.gpssource.com) for further information on product options, specifications, or to receive an easy to use order sheet.

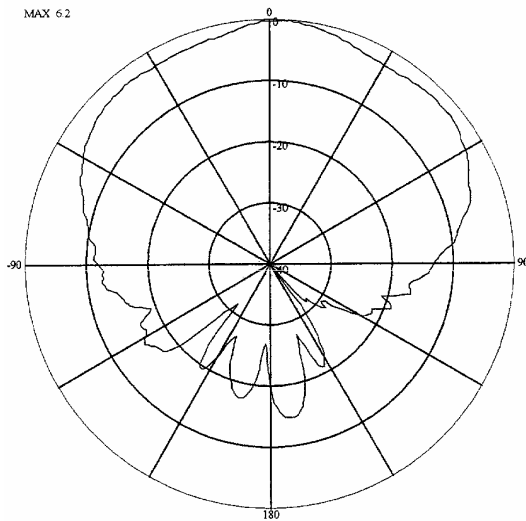
Electrical Specifications, Operating Temperature -40 to 85°C

Parameter	Conditions	Min	Typ	Max	Units
Frequency Range: (Passband)	Ant – Output, Output = 50Ω	1570	1575	1580	MHz
Out Imped.			50		Ω
Gain	Output =50Ω	2.5	2.8	3	dBiC
Output SWR	Output = 50Ω			2.5:1	-
Polarization	Right Hand Circular				

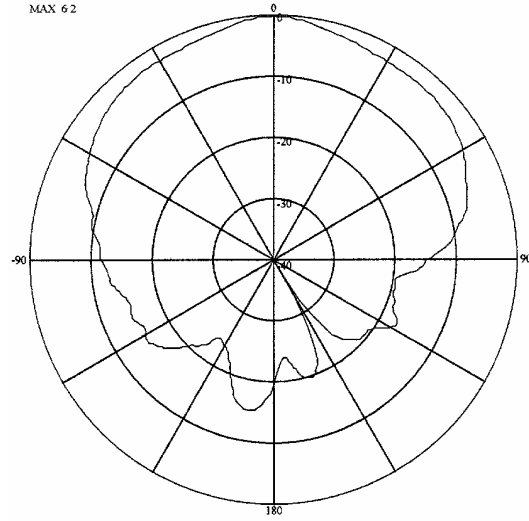
Performance Data:

Far Field Patterns – 1575 MHz

Rotating Linear – (E Cut)

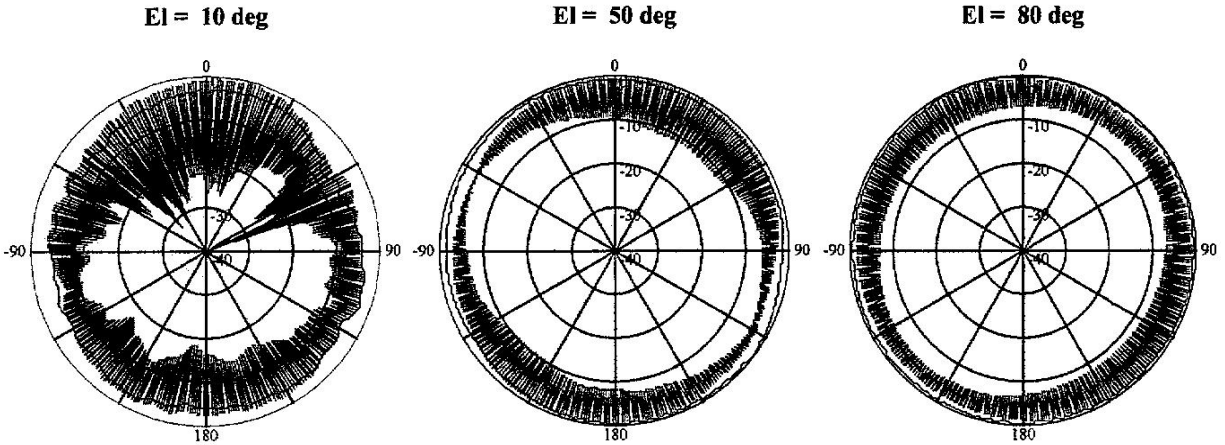


Rotating Linear – (H Cut)



Far Field Patterns - 1575 MHz

Azimuth Cuts:



Available Options:

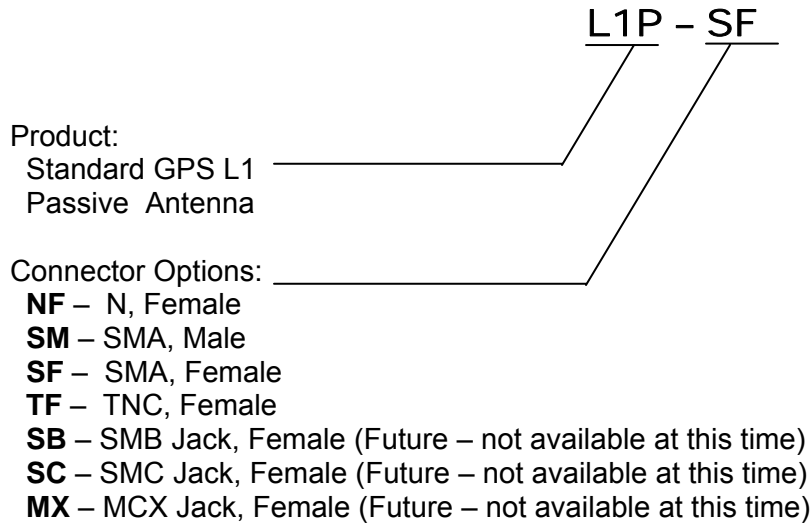
RF Connector Options:		
Connector Options	Connector Type	Limitations
	N (Female)	
	SMA (Male & Female)	
	TNC (Female)	
	SMB (Female)	Future - not ava. at this time
	SMC (Female)	Future - not ava. at this time
	MCX (Female)	Future - not ava. at this time

Notes:



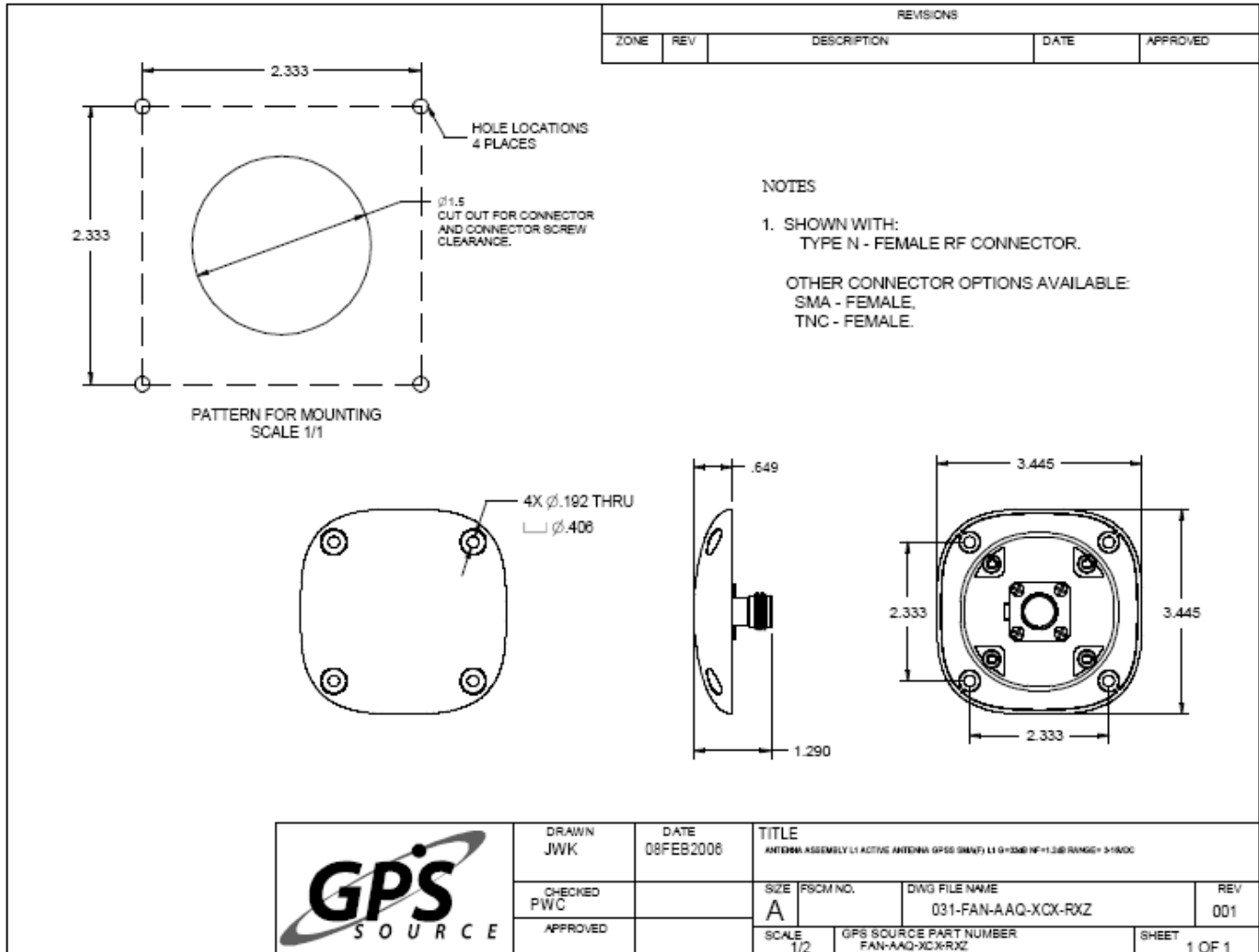
Your source for quality GNSS Networking Solutions and Design Services, Now!

Part Number:



For help in creating the part number to meet your exact needs, contact us at Sales@gpssource.com or visit our website at www.gpssource.com .

Mechanical:



DRAWN JWK	DATE 08FEB2006	TITLE ANTENNA ASSEMBLY L1 ACTIVE ANTENNA (GPS ONLY) L1 G+2500 HF+1.200 RANGE+ 51000		
CHECKED PWC		SIZE A	DSM NO. 031-FAN-AAQ-XCX-RXZ	REV 001
APPROVED		SCALE 1/2	GPS SOURCE PART NUMBER FAN-AAQ-XCX-RXZ	SHEET 1 OF 1