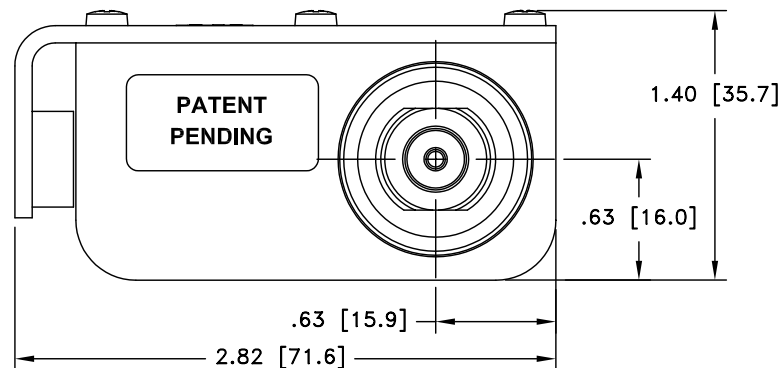
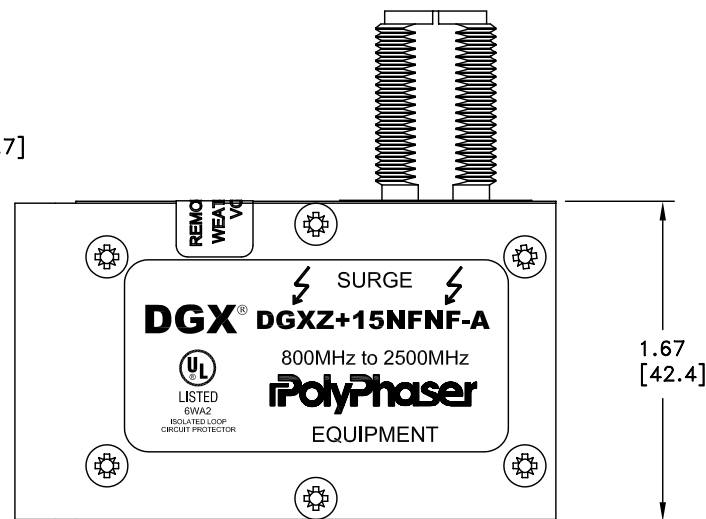
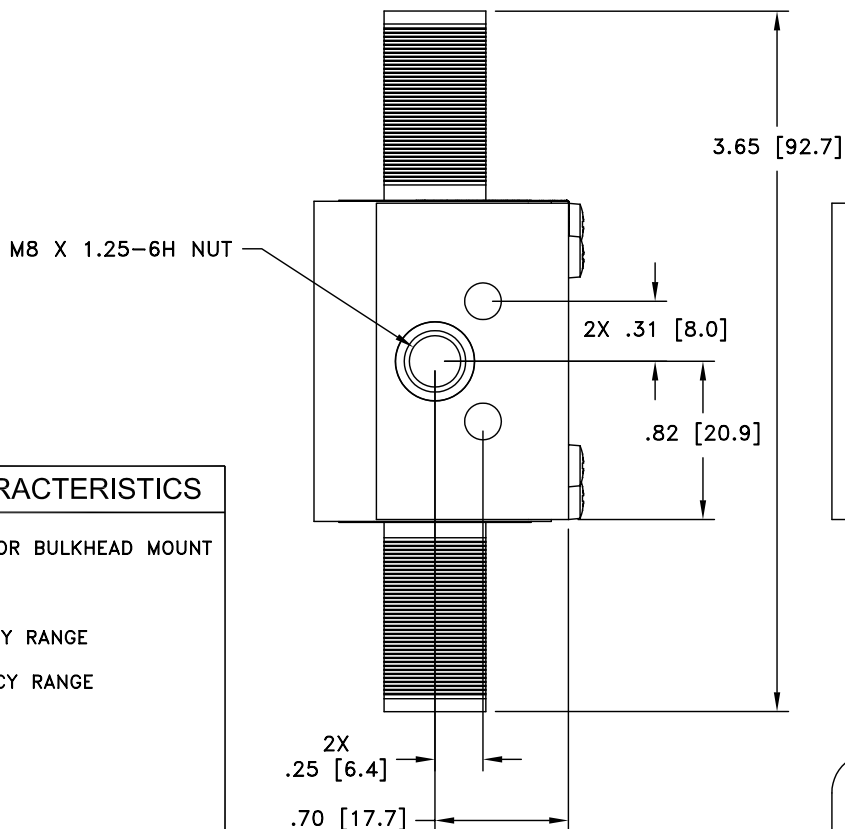


ALL DESIGN, OPERATIVE AND PROCESS DATA PERTAINING TO THE ARTICLE SHOWN ON THIS SHEET IS THE PROPERTY OF POLYPHASER CORPORATION. THE INFORMATION IS NOT TO BE COPIED, REPRODUCED, REVEALED TO OR APPROPRIATED BY OTHERS WITHOUT THE EXPRESS WRITTEN CONSENT OF POLYPHASER CORPORATION.


REVISIONS				
REV LTR	DATE	ENG	MKTG	Q.A.
D	07/15/04 _{RS}	KCB	SD	LJ



CUSTOMER APPROVAL: _____ DATE: _____

ALL DIMENSIONS SHOWN ABOVE ARE FOR REFERENCE ONLY.

MAXIMUM CHARACTERISTICS
APPLICATION: WEATHERIZED, FLANGE OR BULKHEAD MOUNT
FREQUENCY RANGE: 800MHz TO 2500MHz
VSWR: ≤1.1:1 OVER FREQUENCY RANGE
INSERTION LOSS: ≤0.1dB OVER FREQUENCY RANGE
POWER: 2.25W RMS AVERAGE
TURN ON: +16.5Vdc
TURN ON TIME: 4ns FOR 2kV/ns
MAX. SURGE: 20kA IEC 61000-4-5 8/20μs WAVEFORM
THROUGHPUT ENERGY: ≤500μJ FOR 3kA, 8/20μs WAVEFORM
USER VOLTAGE: +15Vdc MAX
USAGE CURRENT: ≤4.0A CONTINUOUS
RELATIVE HUMIDITY: TO 95%
ENVIRONMENTAL: MEETS 60529 IP67 MEETS BELLCORE #TA-NWT-000487 PROCEDURE 4.11, WIND DRIVEN (120MPH) RAIN INTRUSION TEST.
TEMPERATURE: -50°C TO +85°C STORAGE/OPERATING

DRAFTER S. HALL	DATE 04/09/02	 P.O. BOX 9000 MINDEN, NV 89423 TEL: 775-782-2511 FAX: 775-782-4476 DWG NO/PART NO/DESCRIPTION DGXZ+15NFNF-A CUSTOMER PRINT	
MECH ENGINEER R. DUNNING	DATE 04/24/02		
ELEC ENGINEER J. JONES	DATE 04/24/02		
MARKETING P. HEEREN	DATE 04/24/02		
QUALITY DEPT R. MATHEUS	DATE 04/24/02		
CAGE CODE 61114	FILE NAME -C1	SCALE 1/1	SHEET 1 OF 1