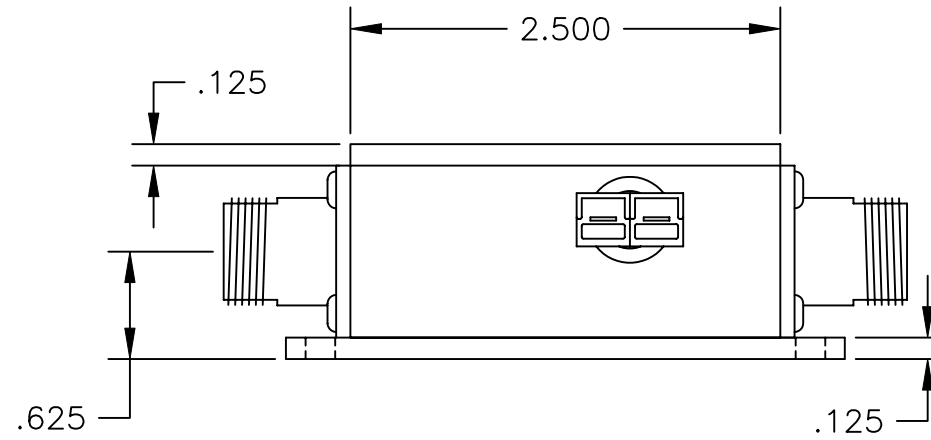
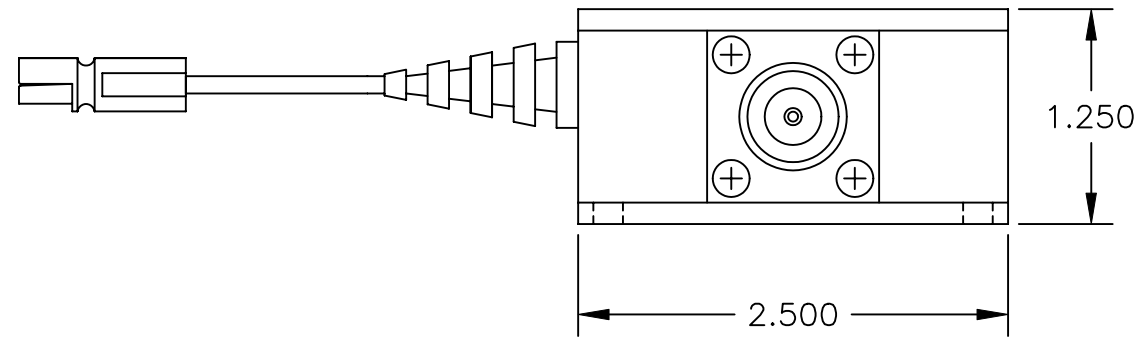
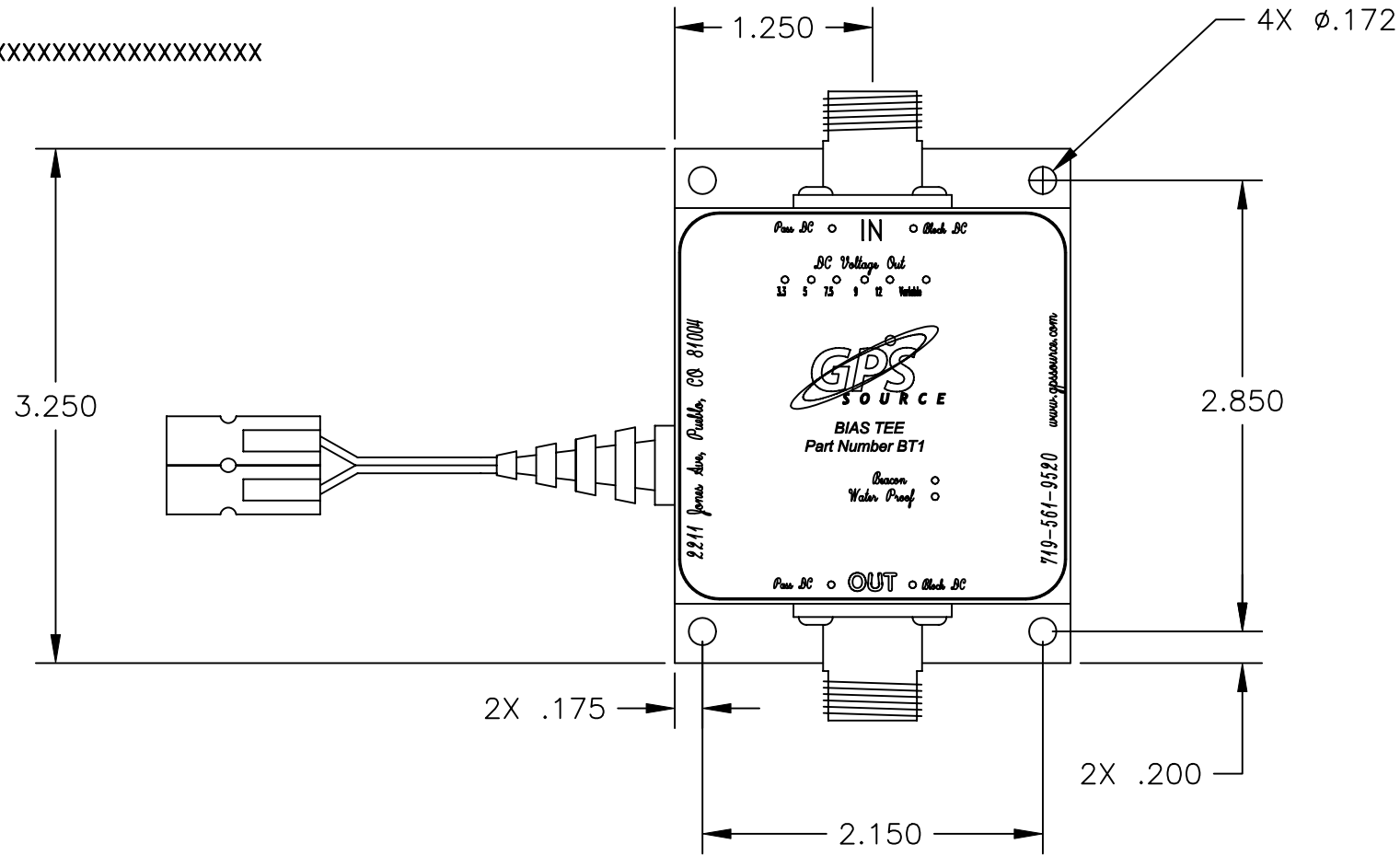


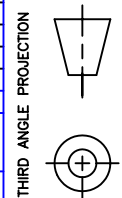
NOTES:

1. XXXXXXXXXXXXXXXXXXXX



REVISIONS				
REV	DESCRIPTION	ECO	BY	DATE
002		-		
003		-		
004		-		
005		-		
006		-		
007		-		
008		-		
009		-		

NEXT ASSEMBLY	USED ON
MATERIAL:	
FINISH:	



DIMENSIONS ARE IN INCHES.
 TOLERANCES:
 .XX = ± .01
 .XXX = ± .005
 .XXXX = ± .0005
 ANGULAR = ± 1°
 DIA CONCENTRIC WITHIN .005
 TOTAL INDICATOR RUNOUT.
 SURFACE 32 OR BETTER.
 DIMENSIONAL LIMITS APPLY TO FINISHED PART.

GPS Source			
DRAWN	P. COINER	5 MAY 01	TITLE
CHECKED			BT1 N CONNECTORS
PROJ ENG			SIZE
APPD			DWG NO.
			REV
			BT1-P110_5_001.dwg
			001
			SCALE: 1/1
			SHEET 1 OF 1