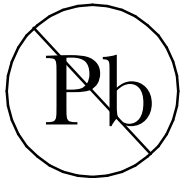
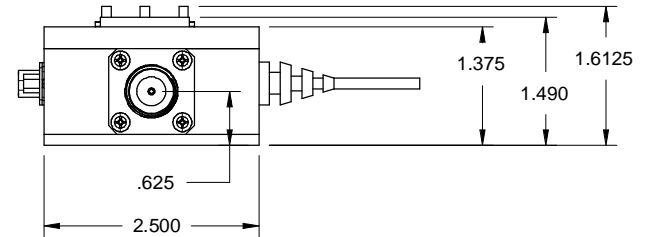
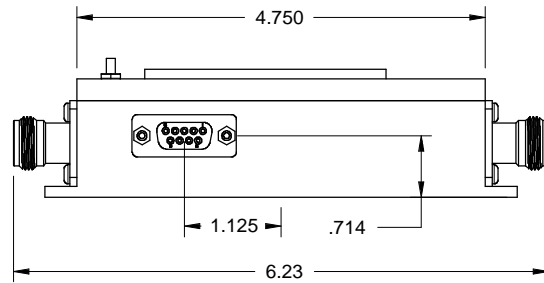
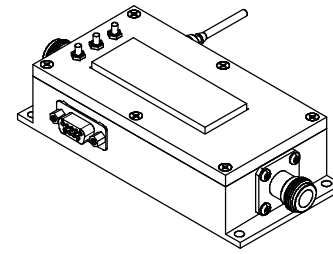
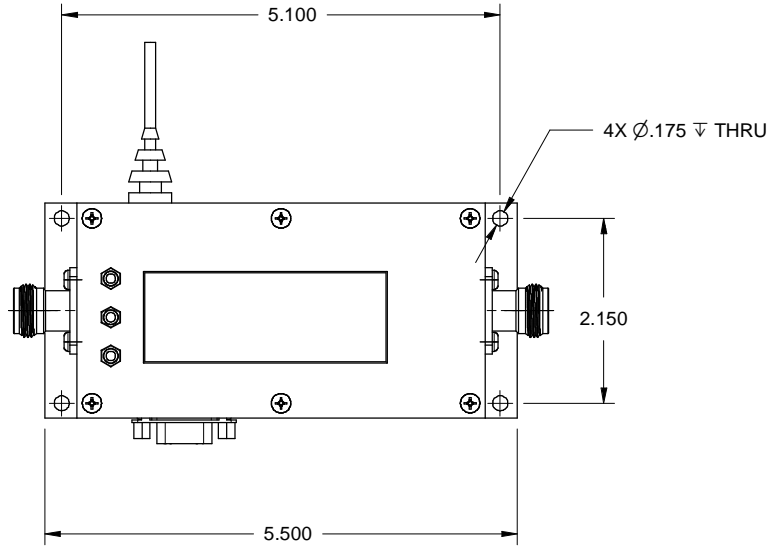


REVISIONS				
ZONE	REV	DESCRIPTION	DATE	APPROVED



DRAWN JWK	DATE 19MAR2006	TITLE FAF AIIXL12V L12/FLTR HiGAIN DIGITAL/ATT NO/OSC DET NO/GPS P110/5		
CHECKED PWC		SIZE A	FSCM NO. 	DWG FILE NAME 031-FAF-ABB-AAX-BBZ
APPROVED		SCALE 1/2	GPS SOURCE PART NUMBER FAF-ABB-AAX-BBZ	REV 001
			SHEET 1 OF 1	