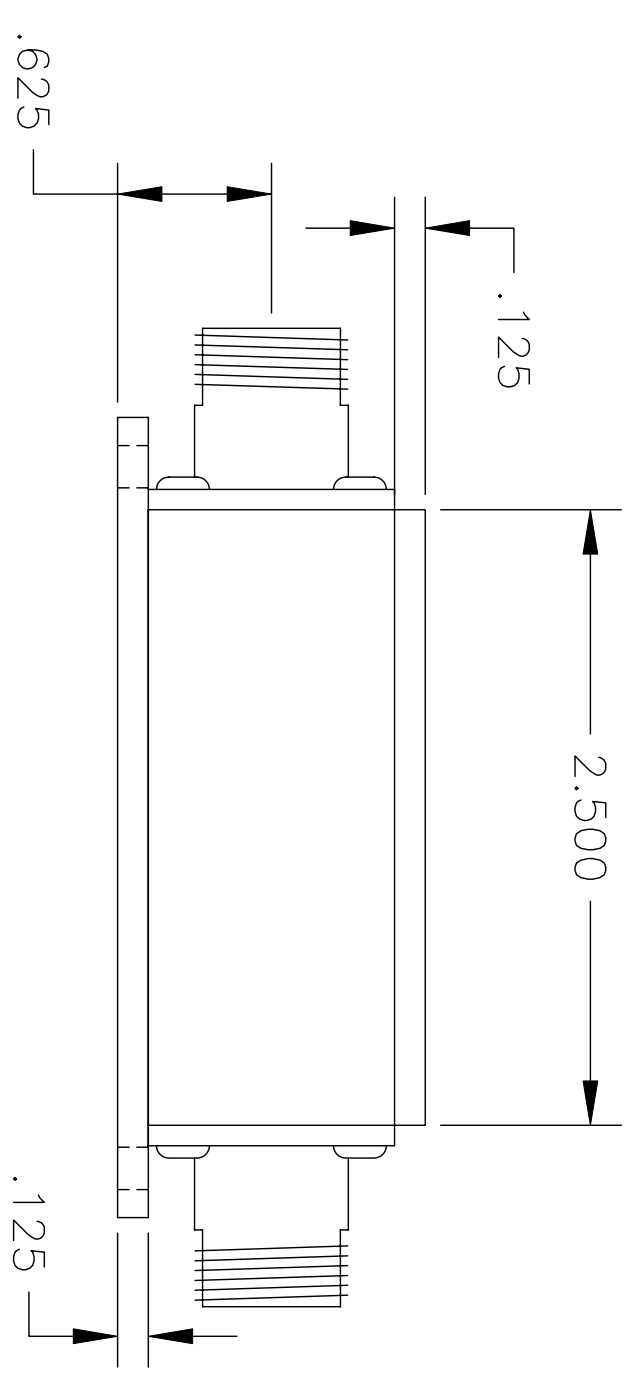
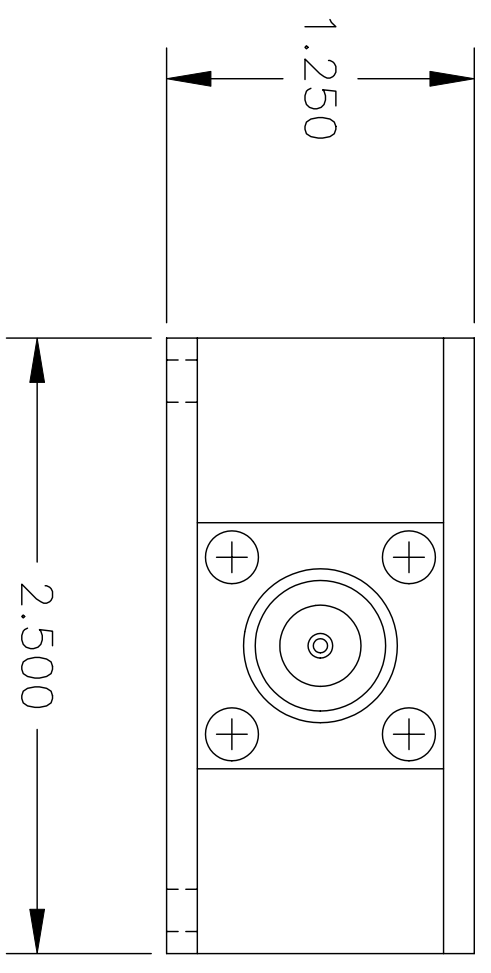
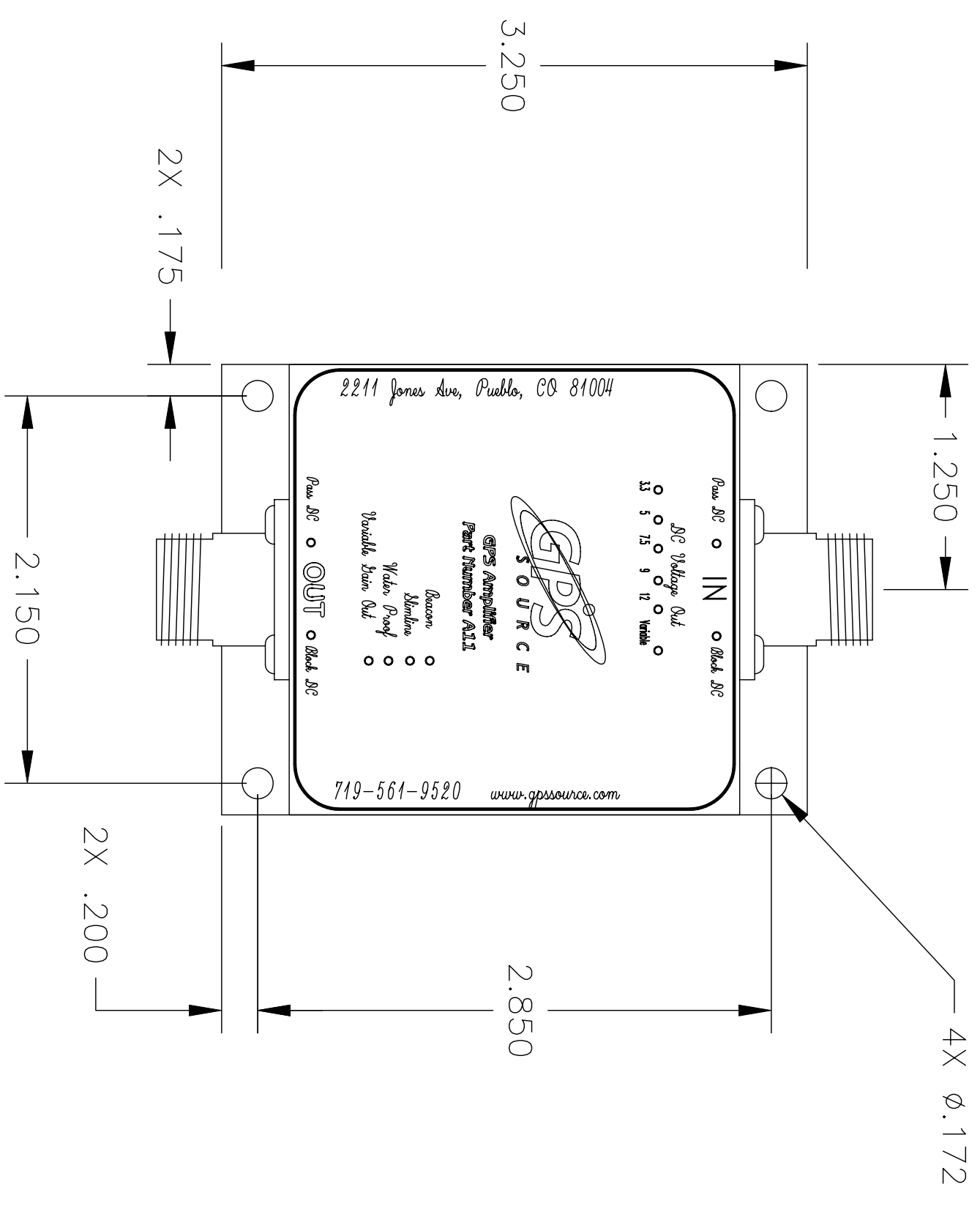


- NOTES:
- XXXXXXXXXXXXXXXXXXXX
 - XXXXXXXXXXXXXXXXXXXX
 - XXXXXXXXXXXXXXXXXXXX



REV	DESCRIPTION	ECO	BY	DATE
002		-		
003		-		
004		-		
005		-		
006		-		
007		-		
008		-		
009		-		

FINISH:	
MATERIAL:	
NEXT ASSEMBLY:	USED ON

THIRD ANGLE PROJECTION

DIMENSIONS ARE IN INCHES.
 TOLERANCES:
 .XX = ± .01
 .XXX = ± .005
 .XXXX = ± .0005
 ANGULAR = ± 1'
 DIA CONCENTRIC WITHIN .005
 TOTAL INDICATOR RUNOUT.
 SURFACE $\frac{32}{\sqrt{\quad}}$ OR BETTER.
 DIMENSIONAL LIMITS APPLY TO FINISHED PART.

DRAWN		P. COINER		5 MAY 01		TITLE		GPS Source	
CHECKED		PROJ ENG		APPD		SIZE		B	
A11 N CONNECTORS		DWG NO.		A11-NF-NF_001.dwg		SCALE:		1/1	
REV		SHEET		1 OF 1		REV		001	