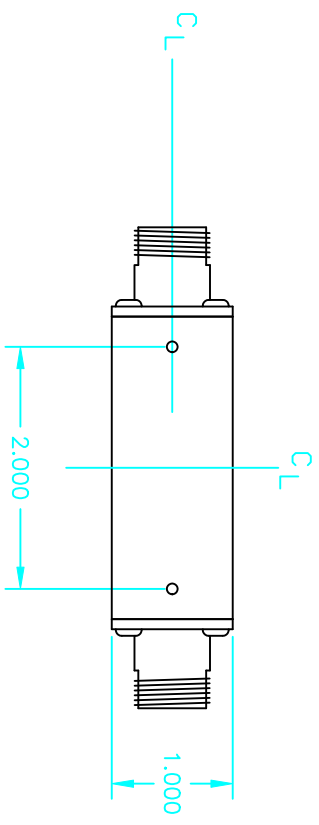
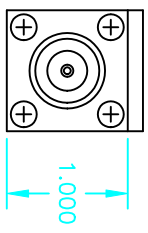
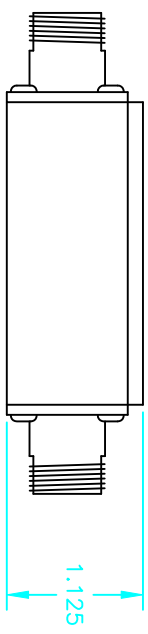
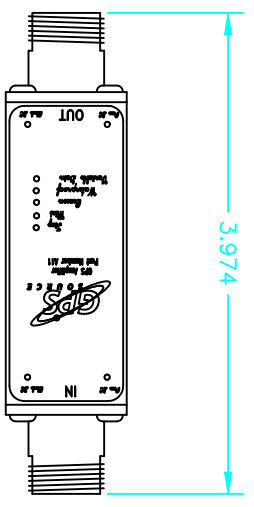


- NOTES:
1. REMOVE ALL BURRS AND SHARP EDGES.
 2. MATERIAL: 6061-T6 ALUMINUM
 3. FINISH: ELECTROLESS NICKEL PLATED MIL-C-26074C, CLASS 1, .00028-.00032 MAX. THICKNESS.



REV	DESCRIPTION	EGG	BT	DATE
002		-		
003		-		
004		-		
005		-		
006		-		
007		-		
008		-		
009		-		

THIRD ANGLE PROJECTION

THIRD ANGLE PROJECTION

DIMENSIONS ARE IN INCHES.

TOLERANCES:
 .XX ± .01
 .XXX ± .005
 .XXXX ± .0005
 ANGULAR ± .1°
 DIA. CONCENTRIC WITHIN .005
 TOTAL INDUCTION ROUNDTOP SURFACE OR BETTER.
 DIMENSIONAL LIMITS APPLY TO FINISHED PART.

GPS Source		TITLE	
DRAWN P. COINER/AUG 08		HOUSING, 1X1 MINI ASSEMBLY	
CHECKED		REV	
PROJ ENG		A11M-NF_002.dwg 002	
APPD		SCALE: 1/1	
		SHEET 1 OF 1	

A B C D

8 7 6 5 4 3 2 1